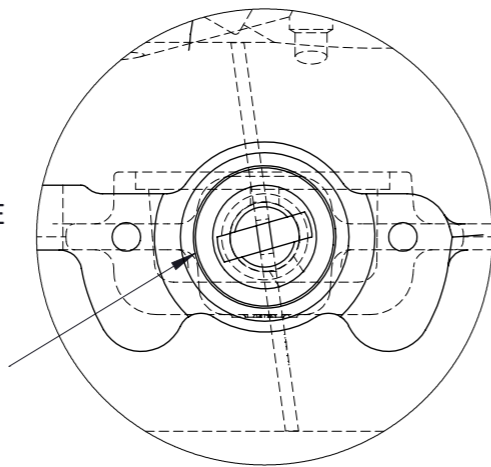
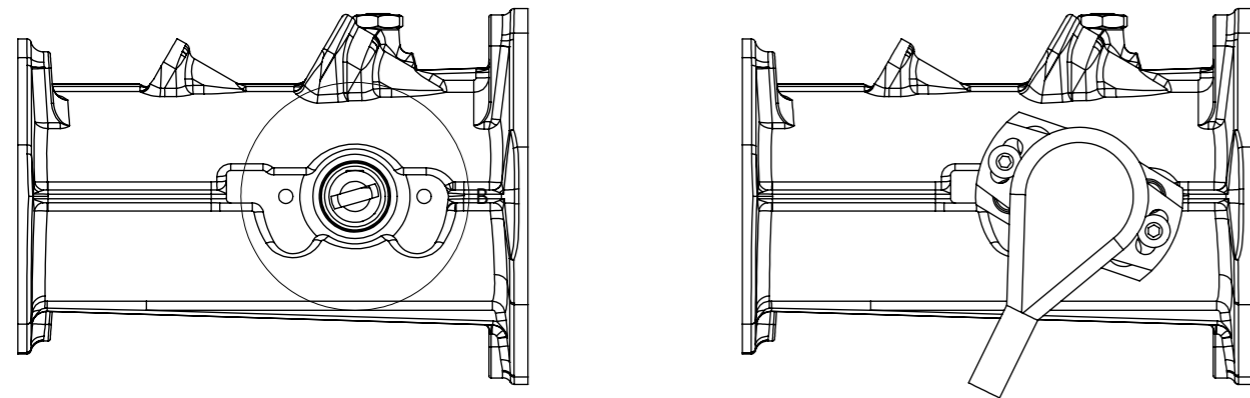
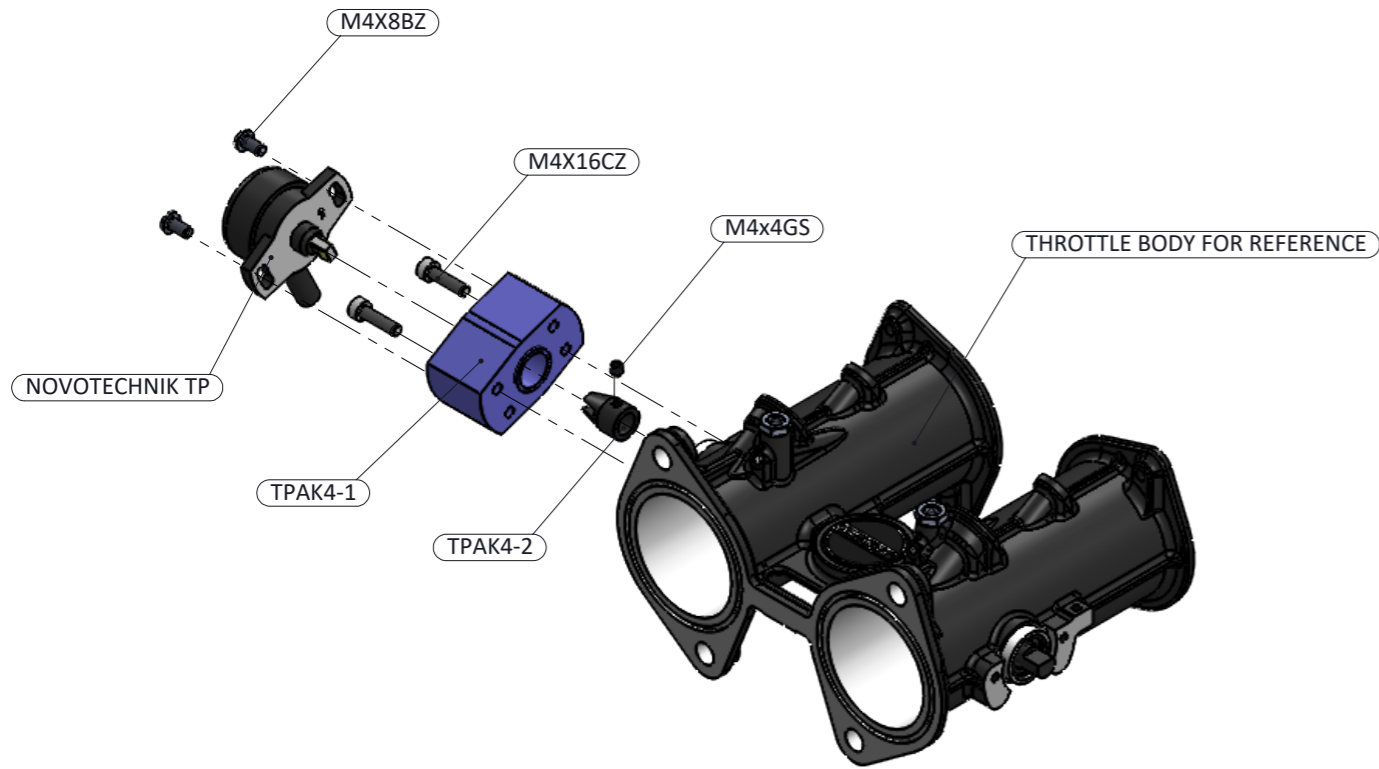


TPAK4 - ASSEMBLY INSTRUCTIONS

RH INSTALL

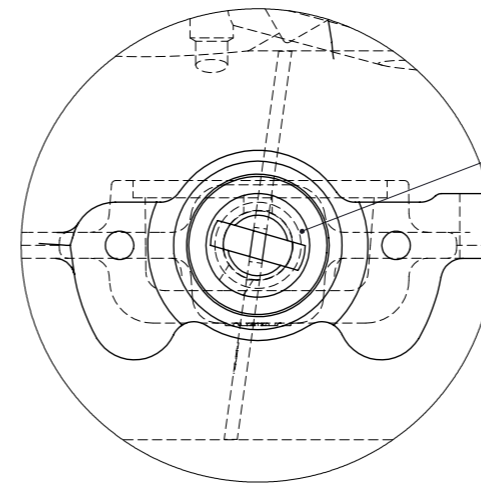
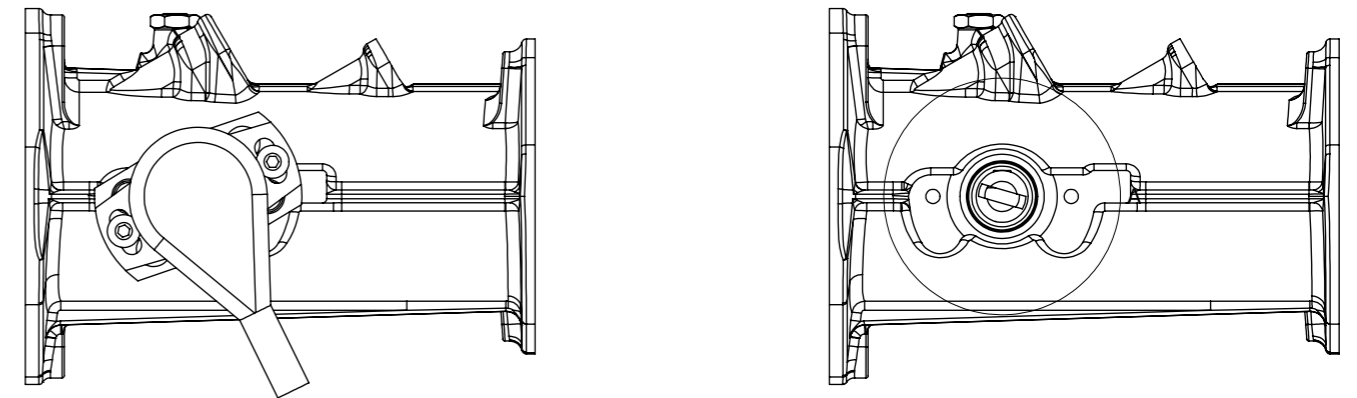
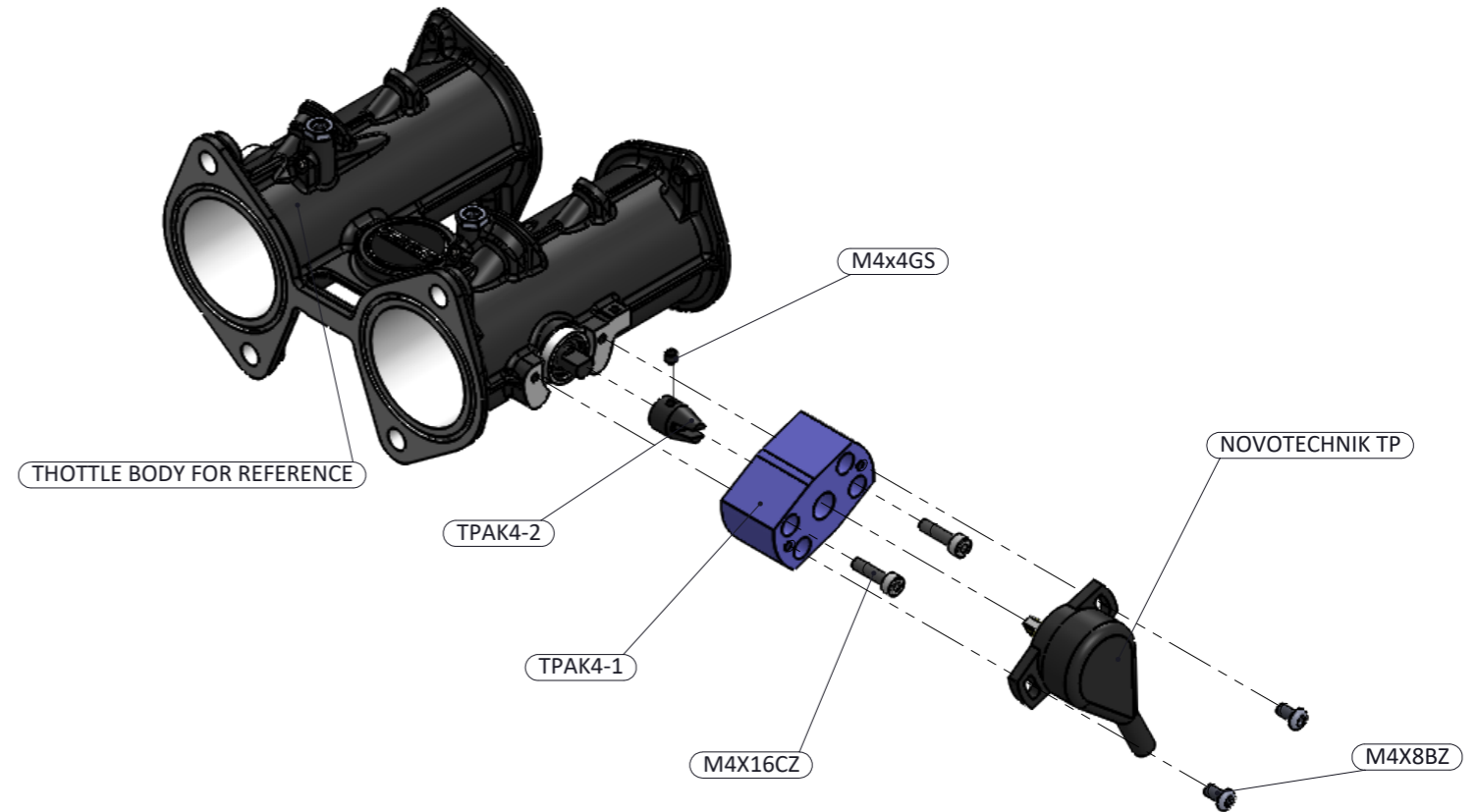


DETAIL B
SCALE 2 : 1.75

NOTE ANGLE OF ADAPTOR - WITH THE BUTTERFLIES CLOSED THE SPINDLE D-FLAT WILL FACE UPWARDS & THE ANGLE OF THE TP ADAPTOR SHOULD BE AS SHOWN.

ONLY ONE GRUB SCREW TO BE INSTALLED PERPENDICULAR TO THE D-FLAT.

LH INSTALL



DETAIL A
SCALE 2 : 1.75

NOTE ANGLE OF ADAPTOR - WITH THE BUTTERFLIES CLOSED THE SPINDLE D-FLAT WILL FACE UPWARDS & THE ANGLE OF THE TP ADAPTOR SHOULD BE AS SHOWN.

ONLY ONE GRUB SCREW TO BE INSTALLED PERPENDICULAR TO THE D-FLAT.

Frame: 1 of 1

Version: 2

Tel 01746 768810

© JENVEY DYNAMICS LTD. 2015

Web WWW.JENVEY.CO.UK

