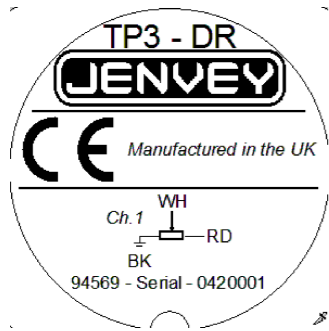


**Product Label**



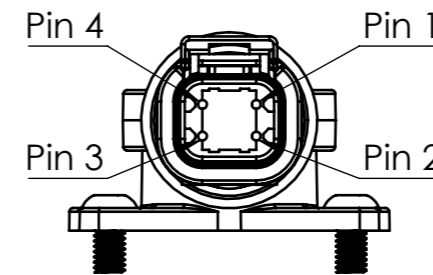
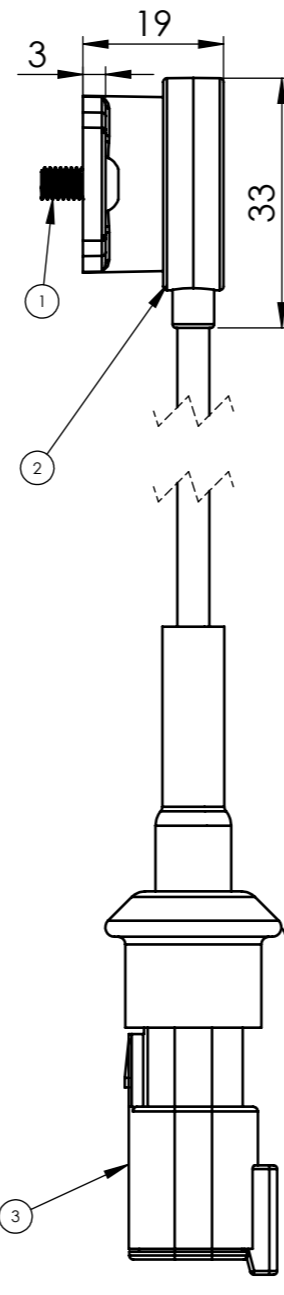
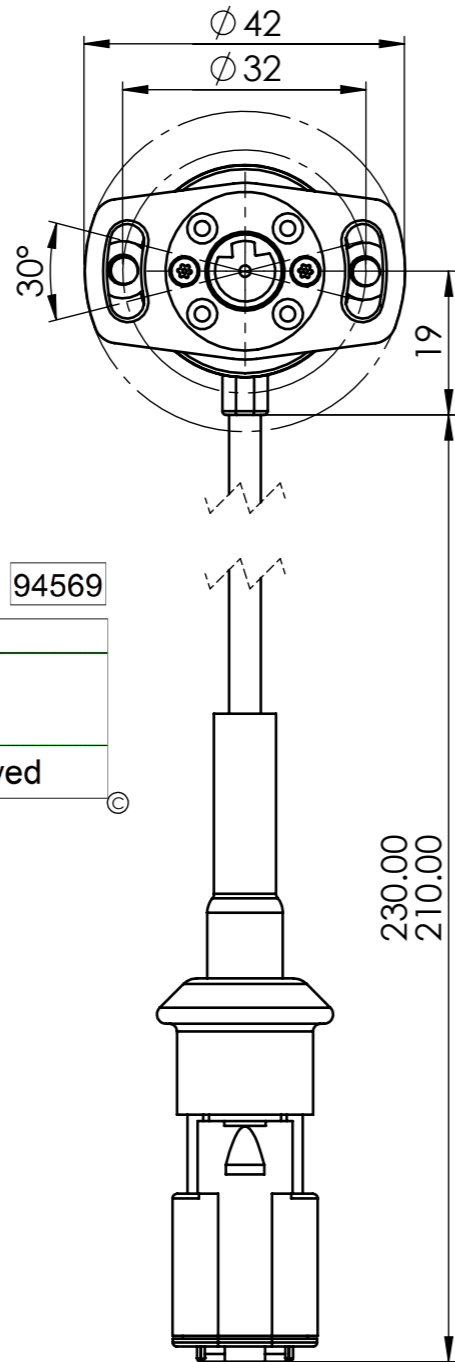
**Bag Label**

**JENVEY** Pin 1 - Signal 1 Pin 3 - GND 94569  
Pin 2 - +5v Pin 4 - Signal 2

Part Name TP3 - DR

Serial

Warranty void if connector removed

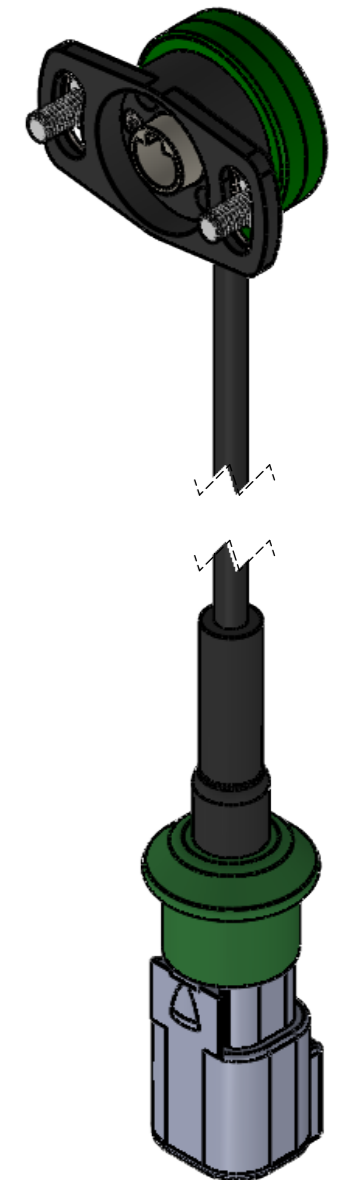


**Wire Connections**

- Pin 1 = Signal 1
- Pin 2 = Power +5V
- Pin 3 = Ground
- Pin 4 = Signal 2

GREEN HEATSHRINK BAND

ITEM NO.	QTY.	DESCRIPTION
1	2	M4x8 Socket Head Button Screw A2 Stainless Steel
2	1	Euro-XPD-2832 Base Assembly
3	1	DTM04-4P

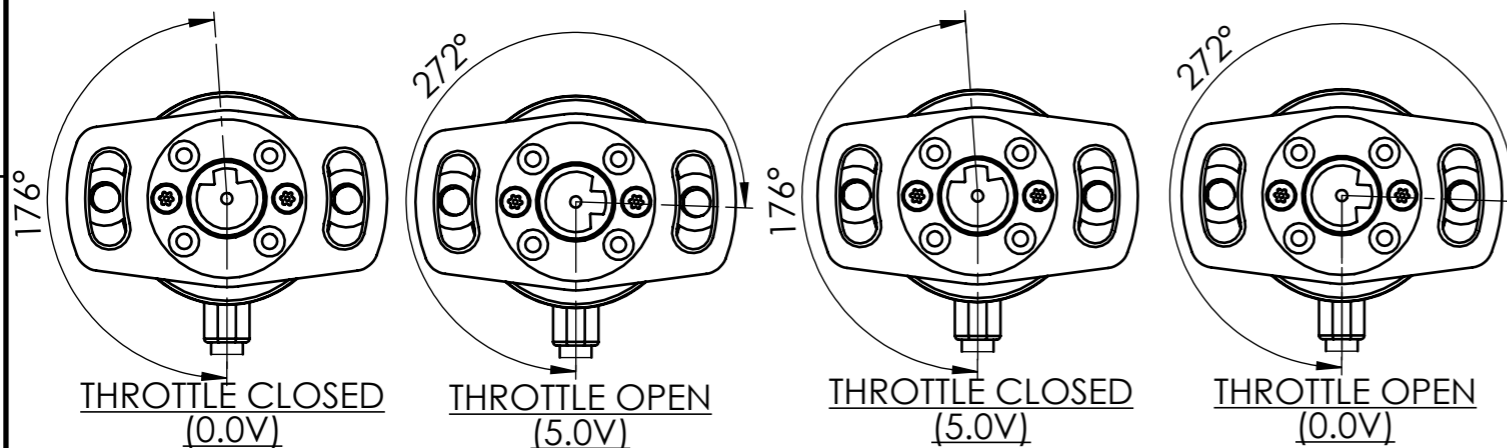


**CHANNEL 1**

OUTPUT INCREASES CW

**CHANNEL 2**

OUTPUT INCREASES CCW



Revision	Mod. No.	Description	Date	Name
D	ECR4393	Added connector pinout	24/04/20	ZTS
C	ECR4114	Labels Updated on drawing	16/03/20	RJK
B	ECR4113	Programming update, connector change	07/01/2020	JU
A	-	Initial Issue	03/12/2019	JU

General tolerance		Drawn	Name	Date	Scale	Document type
+/- 0,2mm	+/- 0,5°	JU	JU	03/12/19	1:1	ASSEMBLY
Treatment None		Checked	JU	16/03/20	Sheet	Document status
Do not scale drawing		Mfg. Appr.			1 of 1	RELEASED
		Q.A.				

Material See B.O.M.	Title, Supplementary title <b>TP3 - DR</b>		Drawing number <b>94569</b>	Rev. <b>D</b>
------------------------	---	--	--------------------------------	------------------