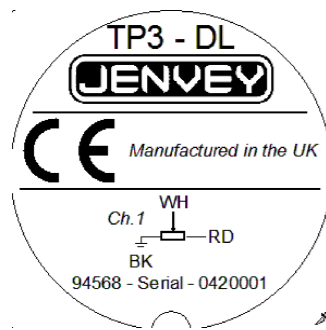


**Product Label**



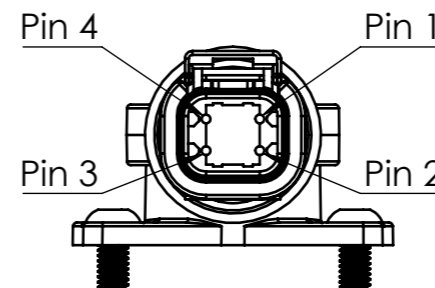
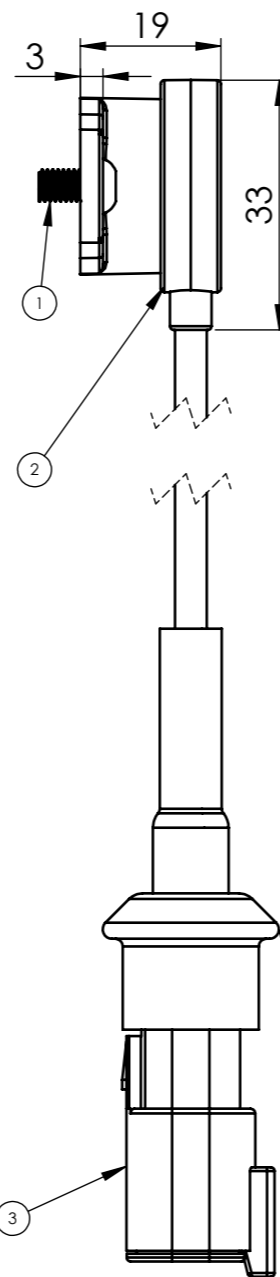
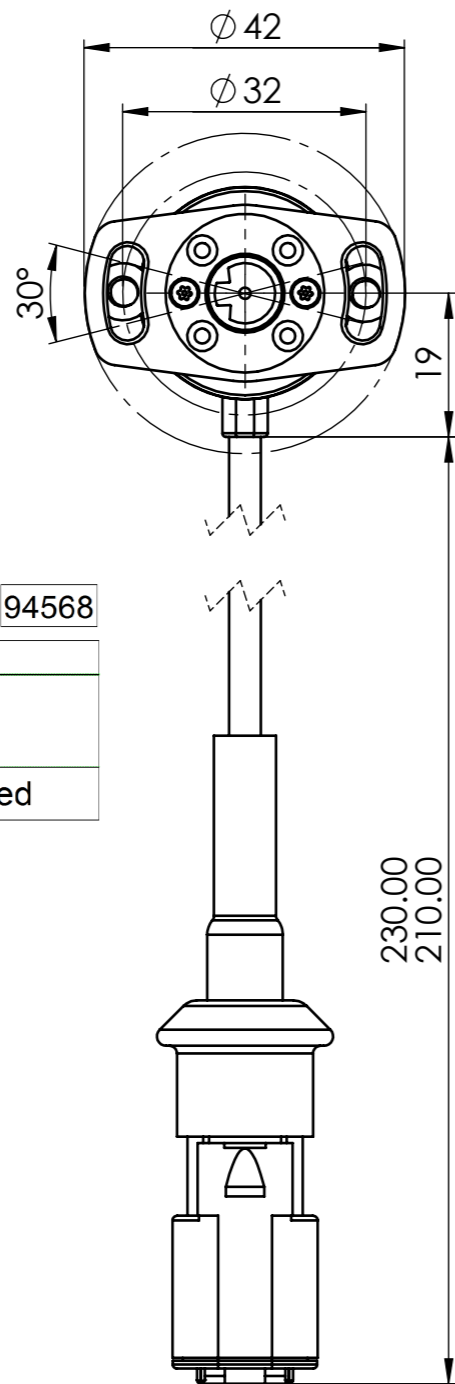
**Bag Label**

**JENVEY** Pin 1 - Signal 1 Pin 3 - GND Pin 4 - Signal 2  
Pin 2 - +5v Pin 4 - Signal 2 **94568**

Part Name TP3 - DL

Serial

Warranty void if connector removed

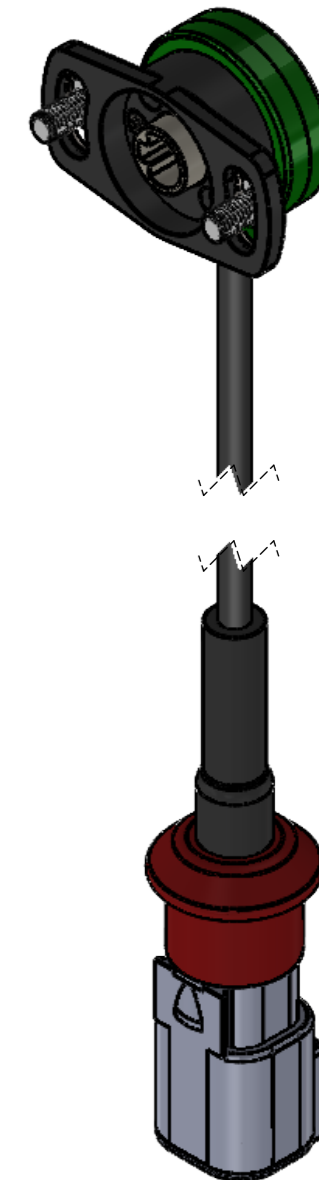


**Wire Connections**

- Pin 1 = Signal 1
- Pin 2 = Power +5V
- Pin 3 = Ground
- Pin 4 = Signal 2

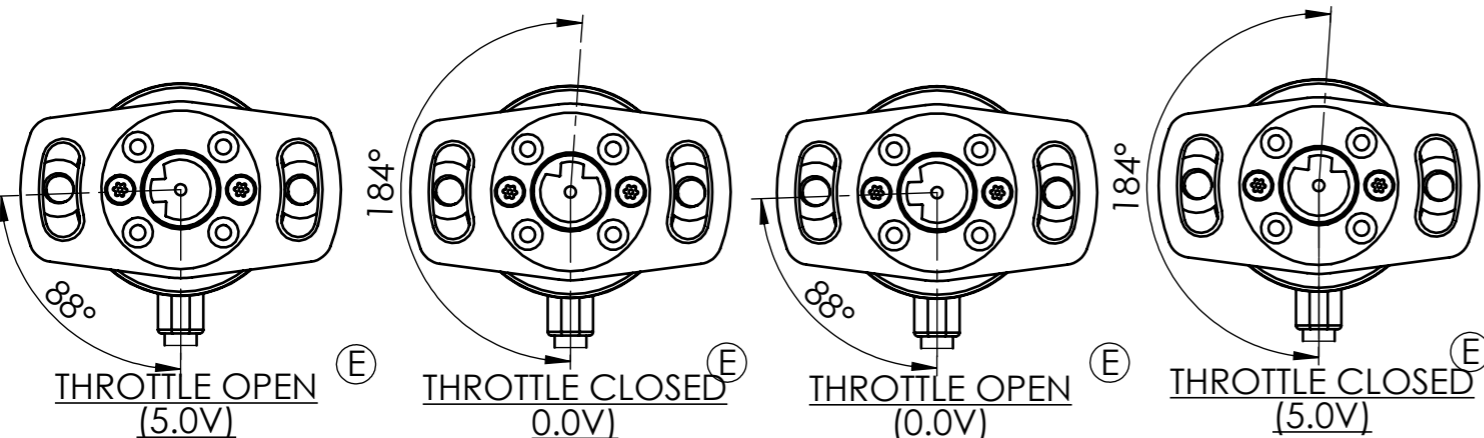
RED HEATSHRINK BAND

ITEM NO.	QTY.	DESCRIPTION
1	2	M4x8 Socket Head Button Screw A2 Stainless Steel
2	1	Euro-XPD-2832 Base Assembly
3	1	DTM04-4P



**CHANNEL 1**  
OUTPUT INCREASES CCW

**CHANNEL 2**  
OUTPUT INCREASES CW



Revision	Mod. No.	Description	Date	Name
E	ECN6254	Flipped wording (Changed closed to open etc)	06/06/22	ZTS
D	ECR4393	Added connector pinout	24/04/20	ZTS
C	ECR4113	Labels Updated on drawing	16/03/20	RJK
B	ECR4113	Programming update, connector change	07/01/2020	JU
A	-	Initial Issue	03/12/2019	JU

General tolerance		Name	Date	Scale	Document type
+/- 0,2mm	+/- 0,5°	Drawn	JU 03/12/19	1:1	ASSEMBLY
		Checked	JU 16/03/20	Sheet	Document status
		Eng. Appr.		1 of 1	RELEASED
		Mfg. Appr.			
		Q.A.			

Material See B.O.M.	General tolerance +/- 0,2mm +/- 0,5°	Do not scale drawing	Title, Supplementary title <b>TP3 - DL</b>		Drawing number <b>94568</b>	Rev. <b>E</b>
------------------------	---	----------------------	---	--	--------------------------------	------------------