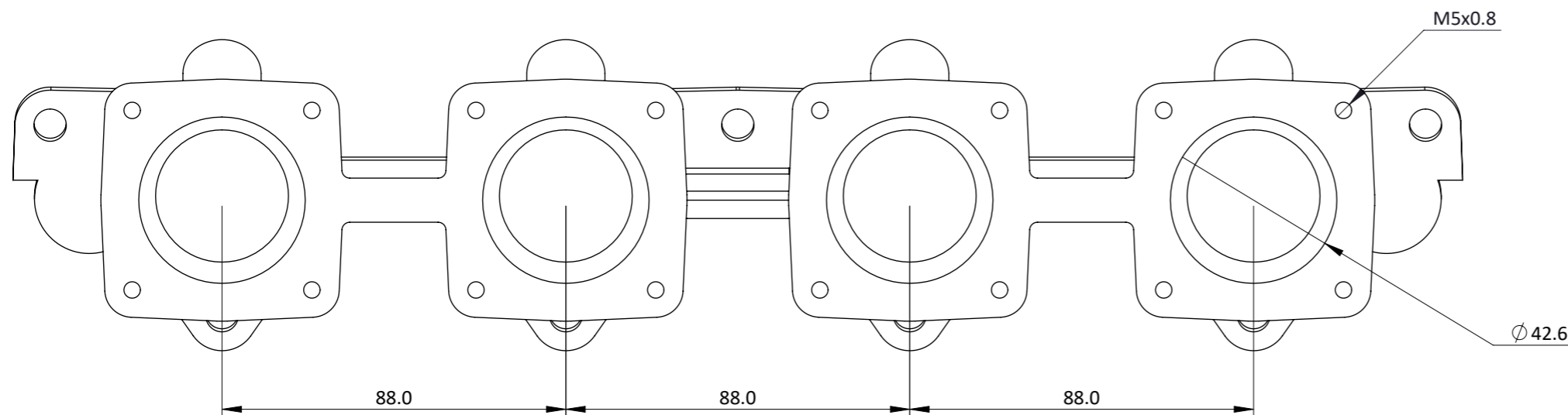
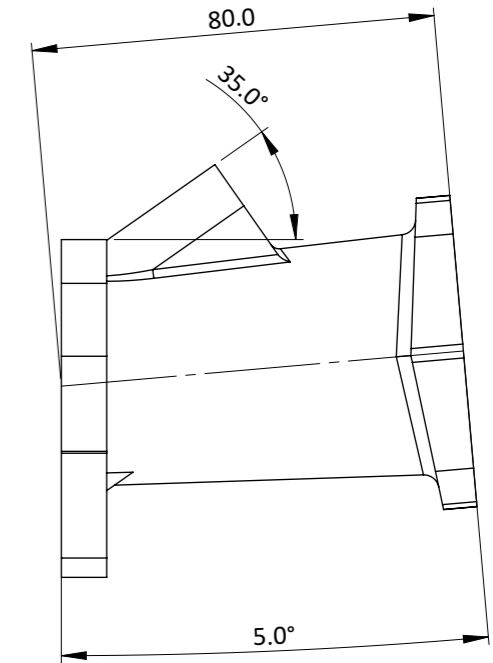
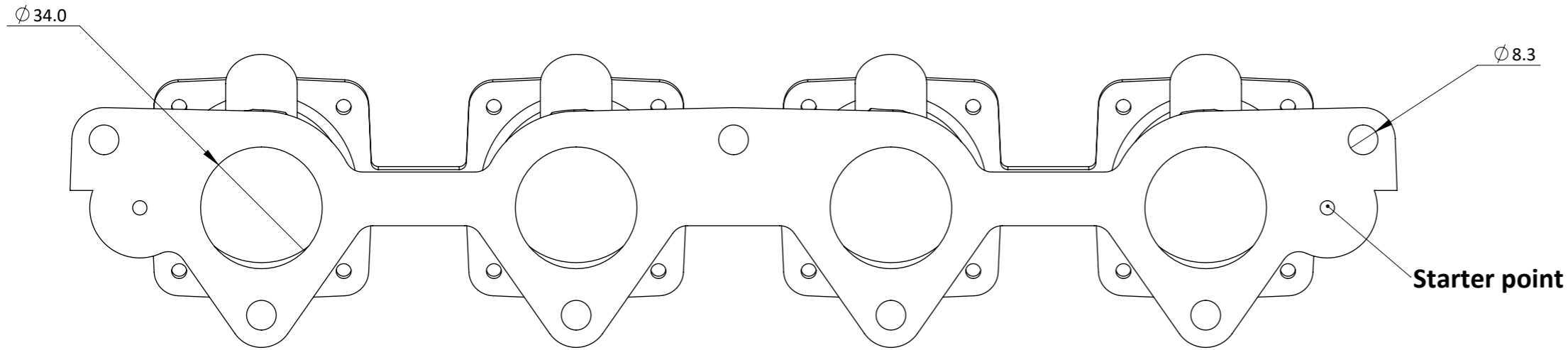


MR08-WEB - Rover K manifold for individual throttle bodies



Engineered to win



Flanges for Jenvey SF throttle bodies. May be ported out to 46mm at body flange and proportionally at head flange.

Undrilled bosses on top side for injectors or brakes, fast idle valve, snesors etc.

Option MR08 for drilled injector pockets.

Frame: 1 of 1

Version: 2

Tel 01746 768810

© JENVEY DYNAMICS LTD. 2024

Web WWW.JENVEY.CO.UK

