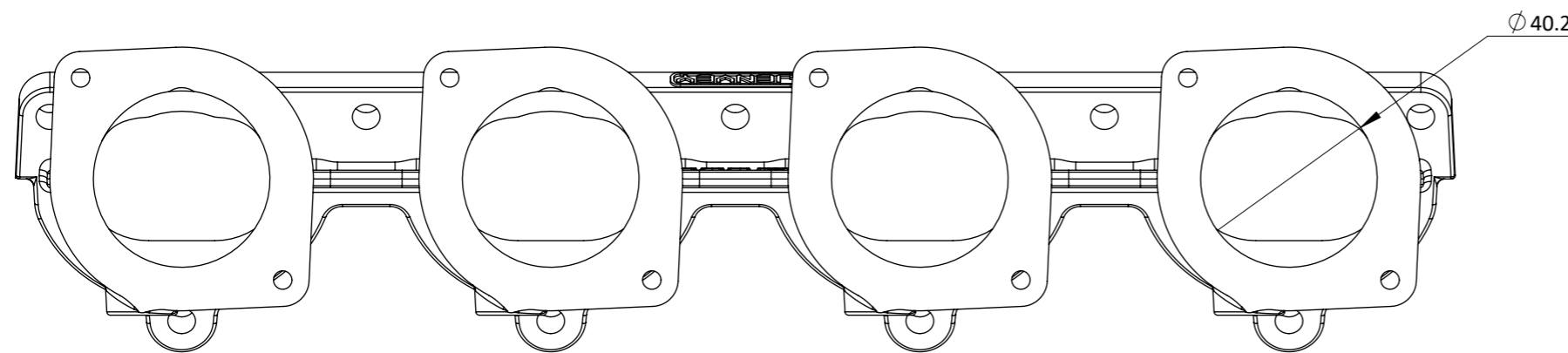
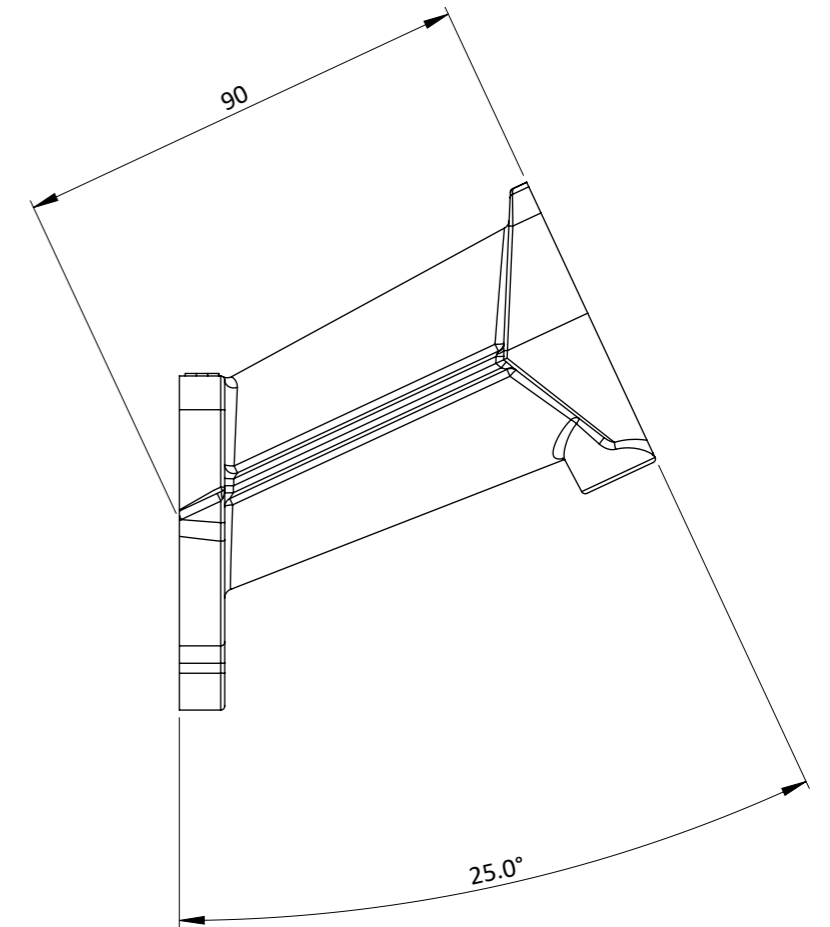
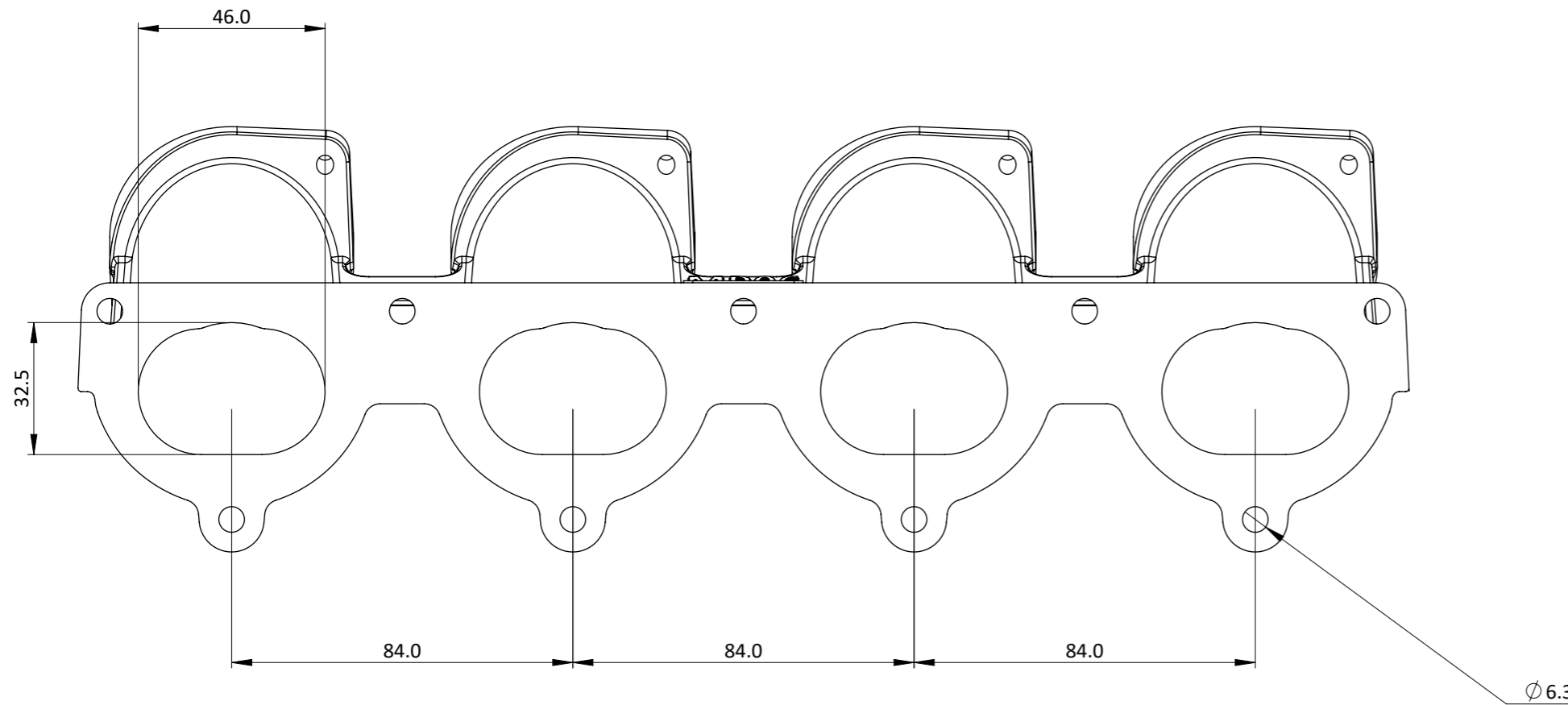


MP06 - Peugeot/ citroen TU5 Manifold/ ST bodies



Engineered to win



Flanges for Jenvey ST throttle bodies or SF with spindle mods.
May be ported out to 45mm at body flange and proportionally at head flange.
2 bosses at ends and 4 on underside for vacuum tappings

Frame: 1 of 1

Version: 5

Tel 01746 768810

© JENVEY DYNAMICS LTD. 2024

Web WWW.JENVEY.CO.UK

