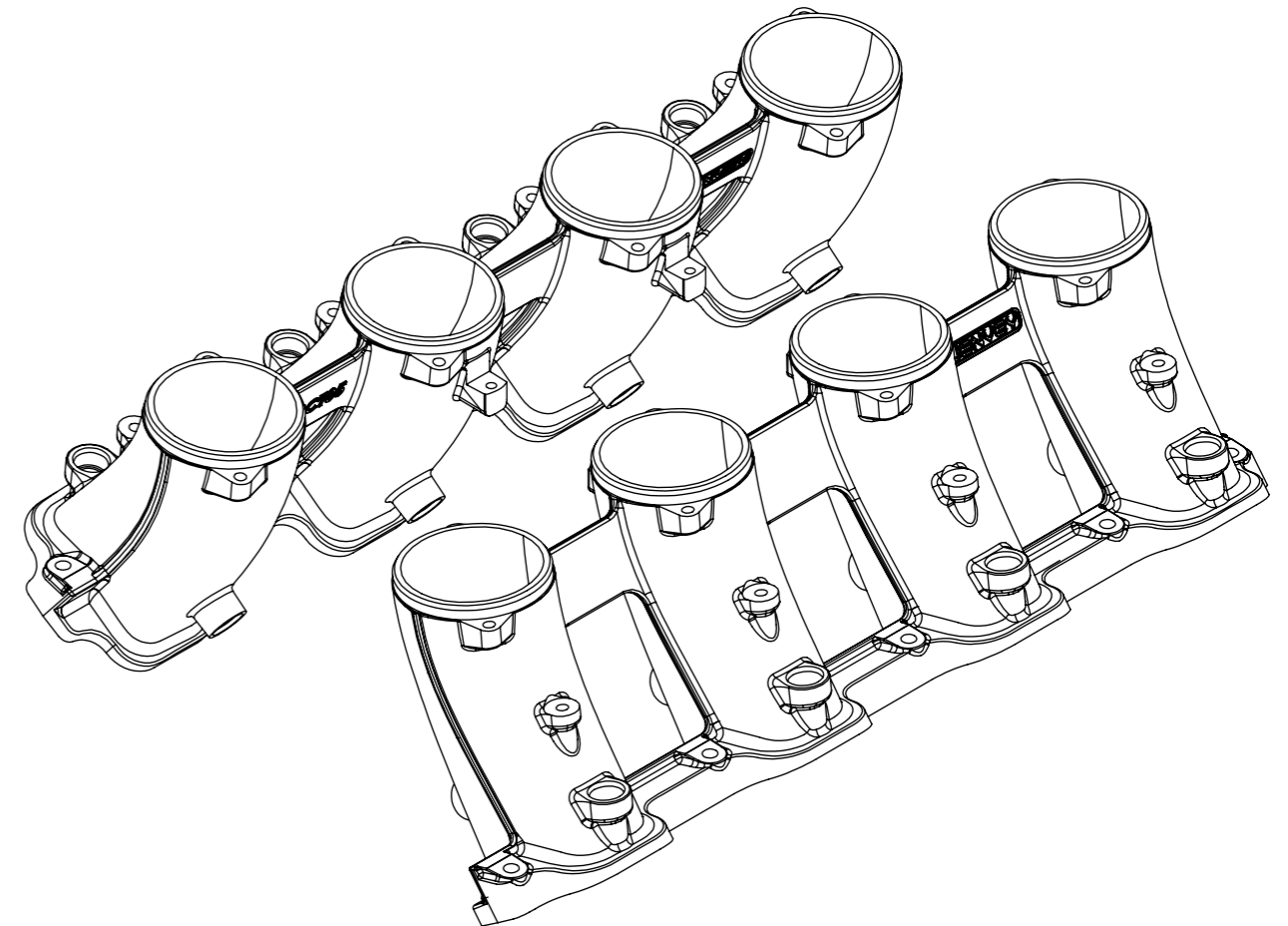
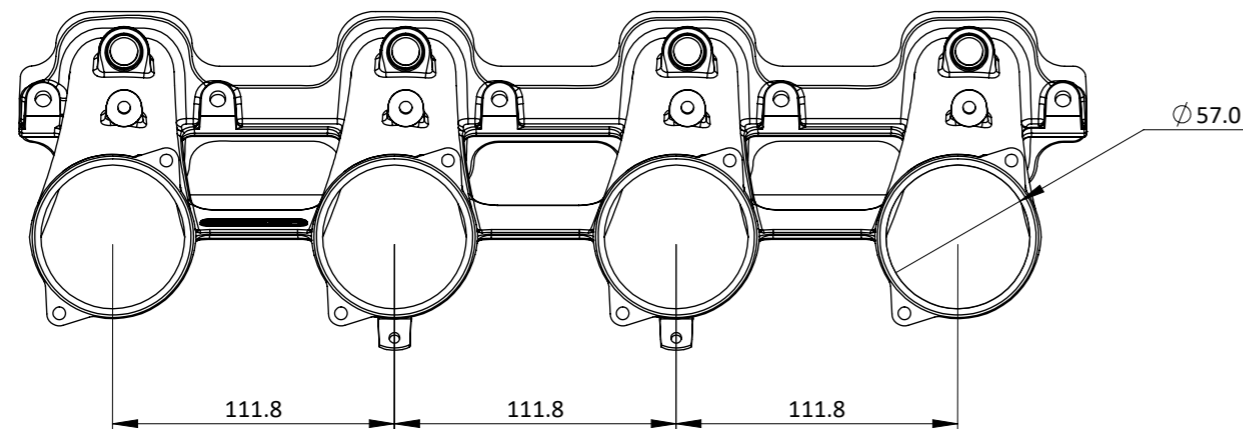
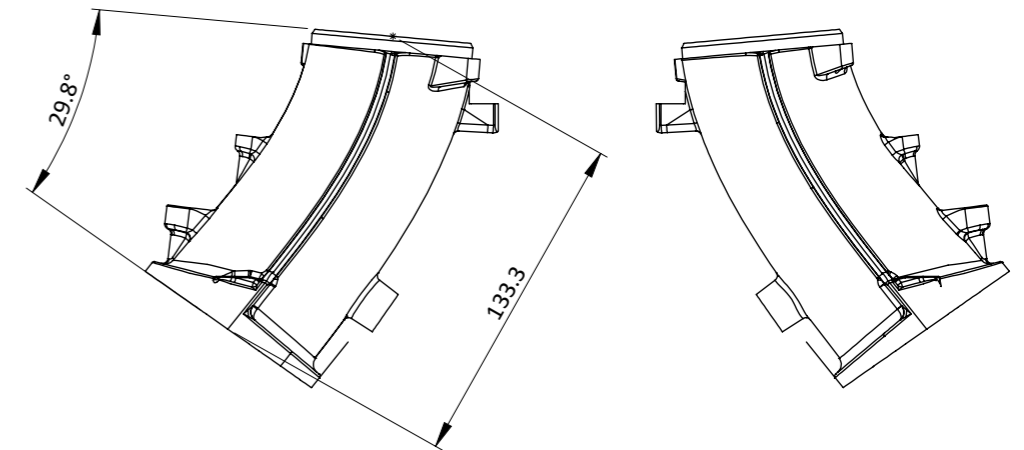
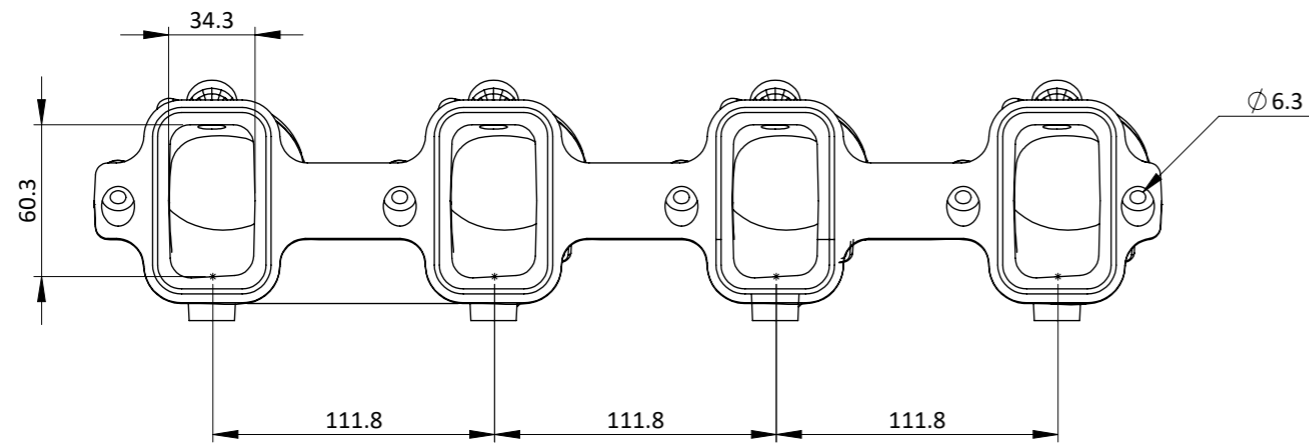


MCT05 - LS7 DOWNDRAFT MANIFOLD



Engineered to win



THE JENVEY LS7 DOWNDRAFT MANIFOLD TO SUIT Ø60mm SSD SPIGOT BODIES.

INCLUDES 1/4" BSP TAPPING ON THE UNDERSIDES FOR VACUUM TAKEOFFS, IDLE CONTROL ETC.

Frame: 1 of 1

Version: 1

Tel 01746 768810

© JENVEY DYNAMICS LTD. 2015

Web WWW.JENVEY.CO.UK

