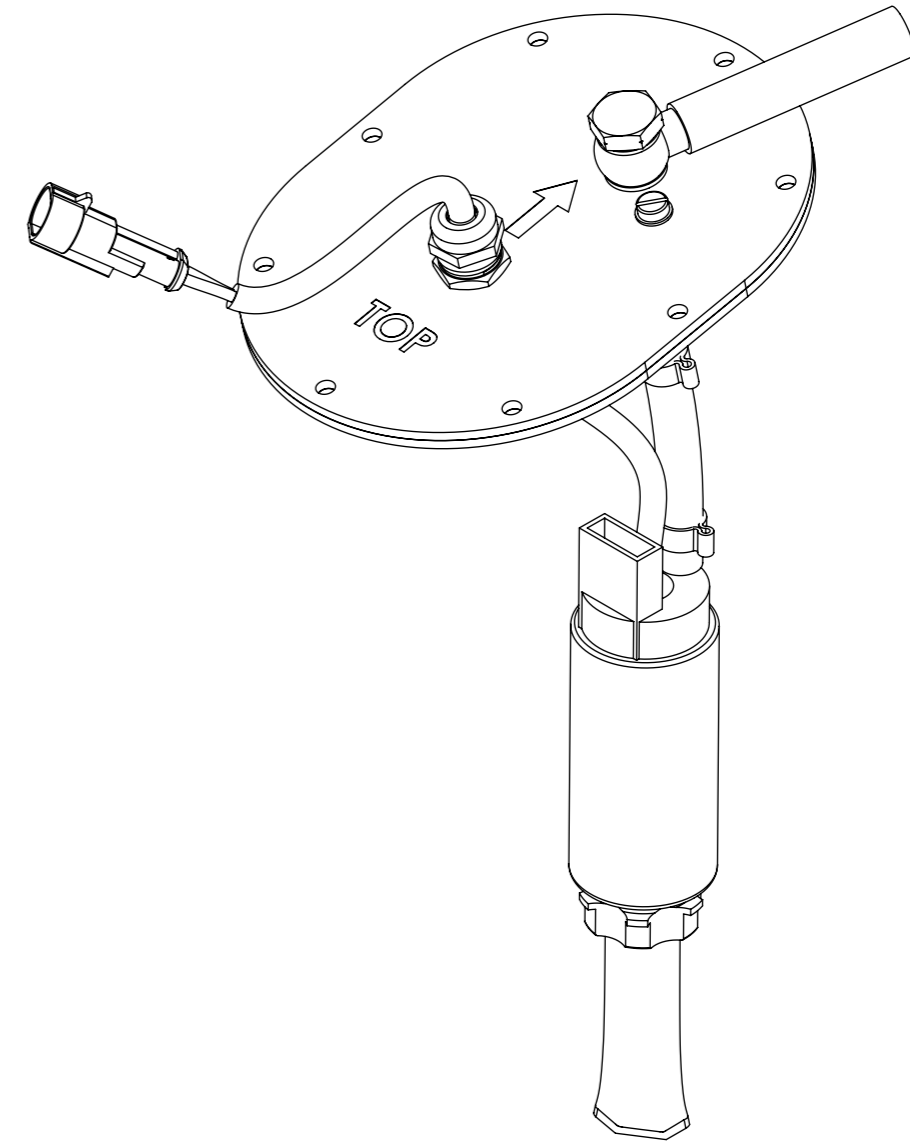
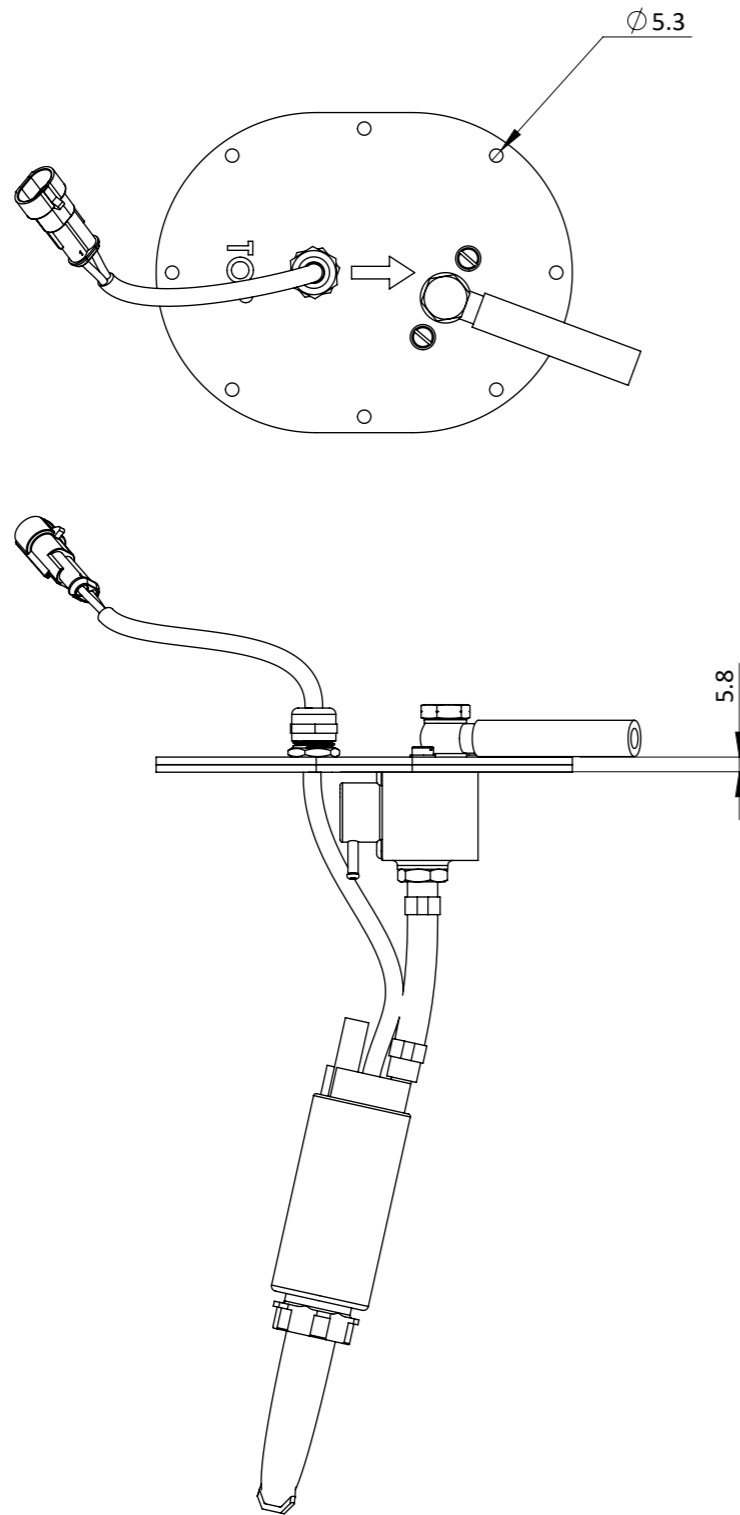


# FTP1-WEB - E-TYPE COMPLETE IN TANK FUEL PUMP KIT



Engineered to win



## IN-TANK HIGH PRESSURE FUEL PUMP FOR THE JAGUAR E-TYPE (SERIES 1 & 2 FUEL TANKS ONLY)

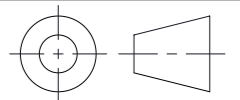
- WALBRO GSS340 IN-TANK FUEL PUMP (255l/h)
- IN-TANK REGULATOR HOUSING & 3 BAR REGULATOR
- MESH FUEL PICK-UP FILTER
- 600mm 8mm ID HIGH PRESSURE FUEL HOSE INCLUDED
- 2-PIN SUPERSEAL FLYING LEAD
- INCLUDES COVER PLATE GASKET AND 8MM BANJO FITTING

Frame: 1 of 1

Version: 6

Tel: 01746 768810

Web: WWW.JENVEY.CO.UK



© JENVEY DYNAMICS LTD. 2024  
All rights reserved.