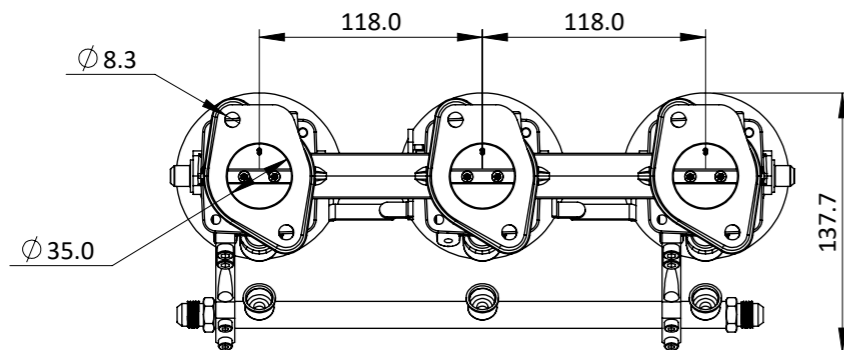
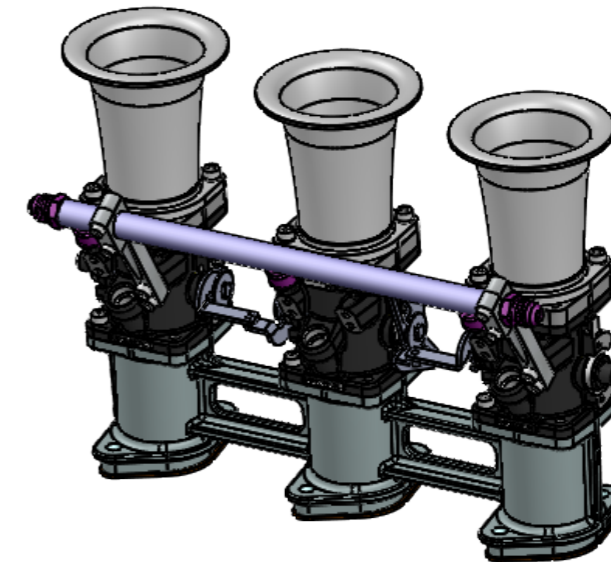
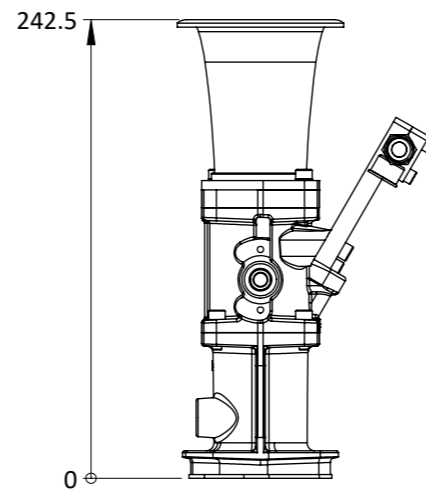
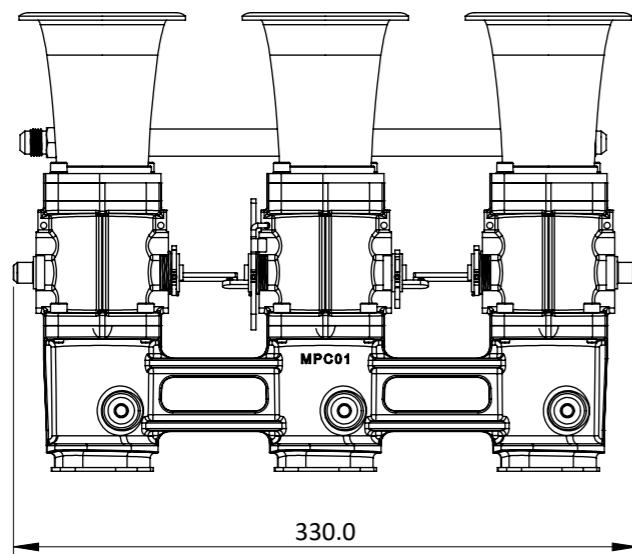
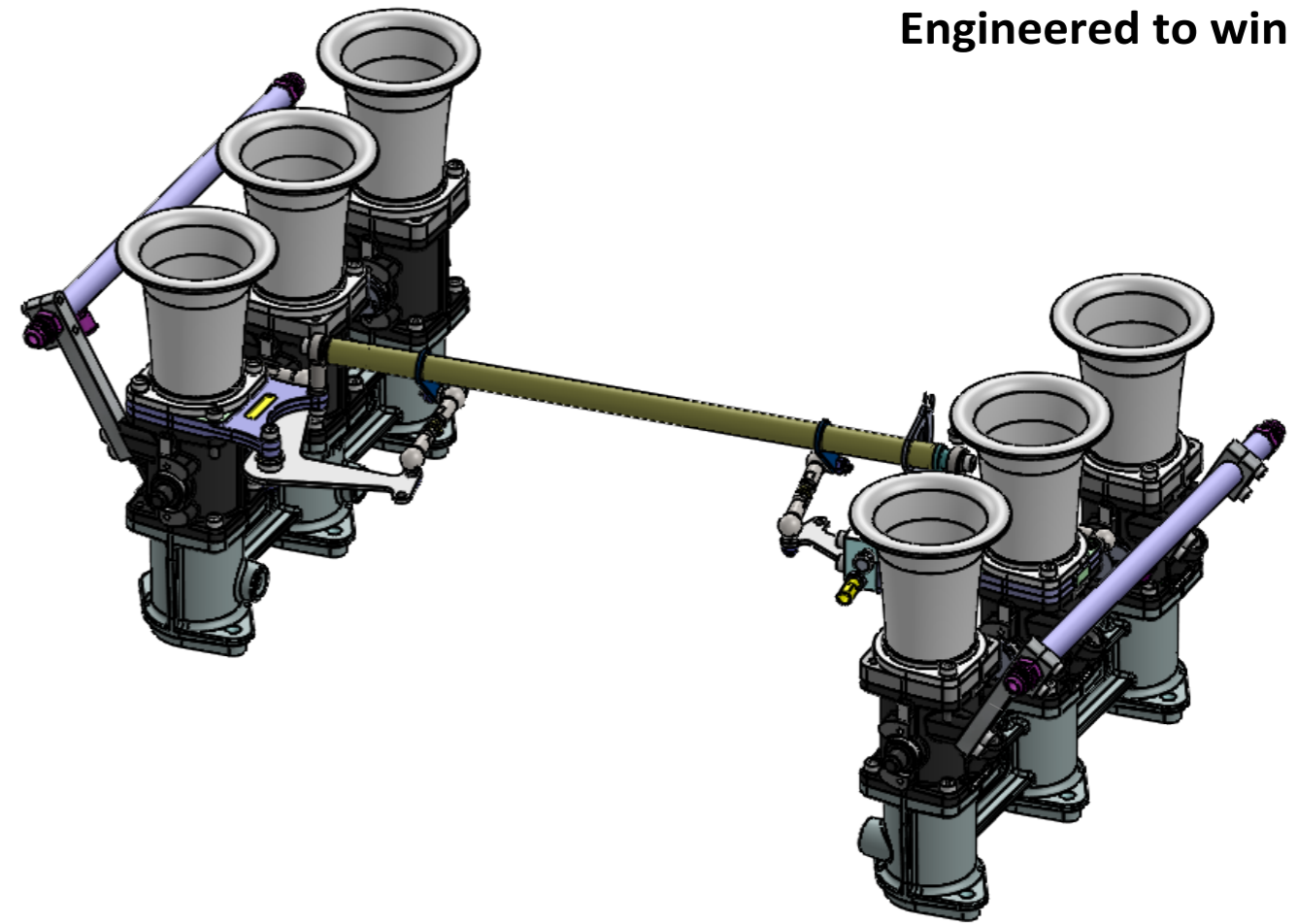
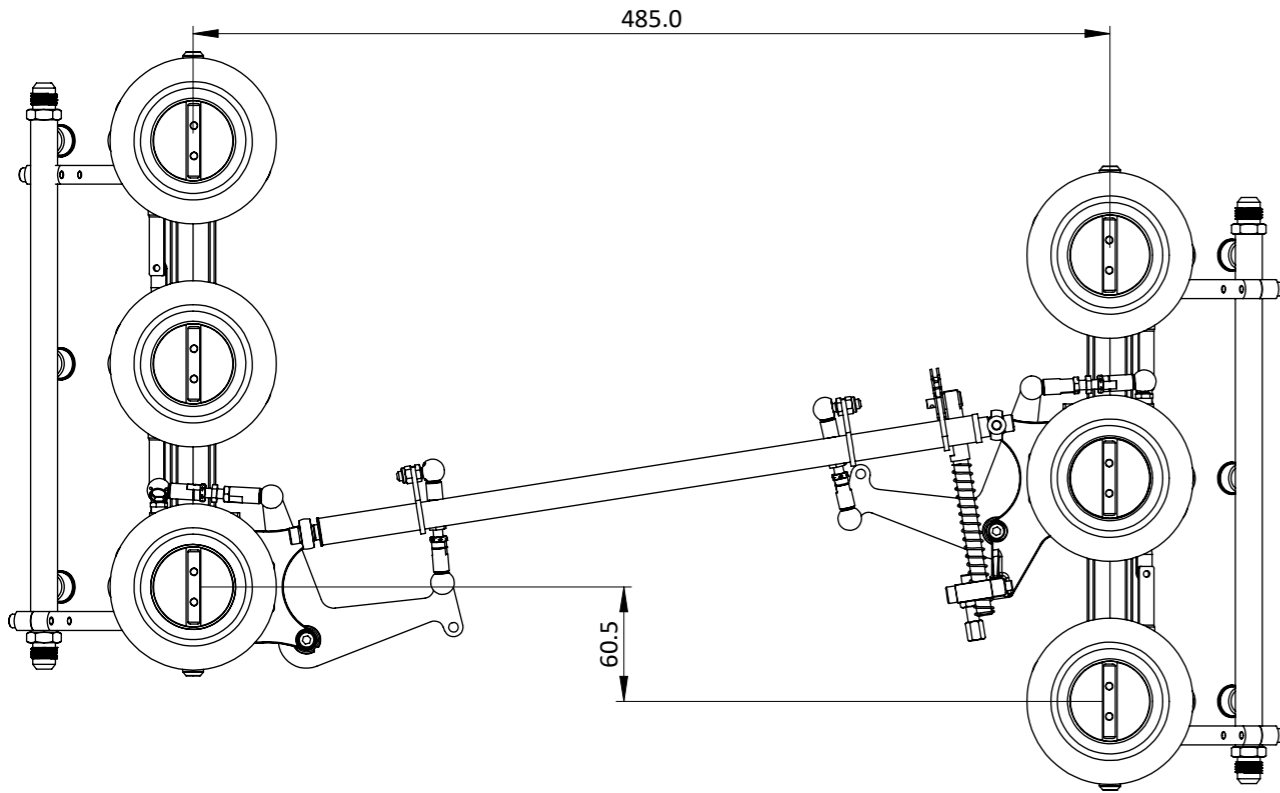


CKPE05_ - PORSCHE 2 BOLT KIT SMALL BORE



Engineered to win



The Porsche 2 stud small bore ITB throttle body kit includes six SF45 taper throttle bodies with a special balanced linkage, two inlet manifolds, heat insulating spacers, fuel rails and six 90mm long taper airhorns. Jenvey throttle bodies and throttle body accessories are engineered for Motorsport, offering excellent performance, reliability, lightness and value. This kit is for early 911s from the 2.0L to the 3.0L and is ideal for road, track or rally use. Made to order.

Frame: 1 of 1

Version: 1

Tel 01746 768810

© JENVEY DYNAMICS LTD. 2024

Web WWW.JENVEY.CO.UK

