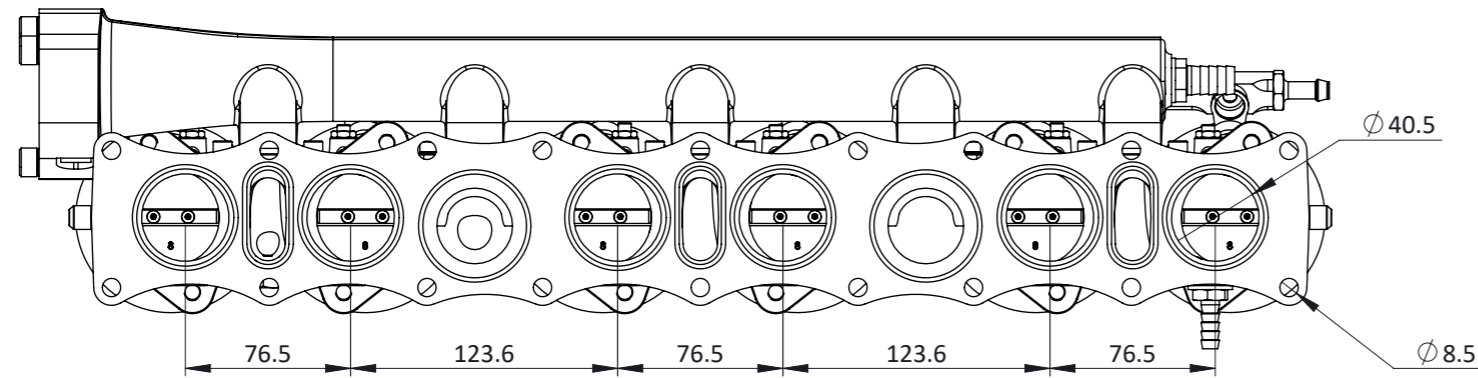
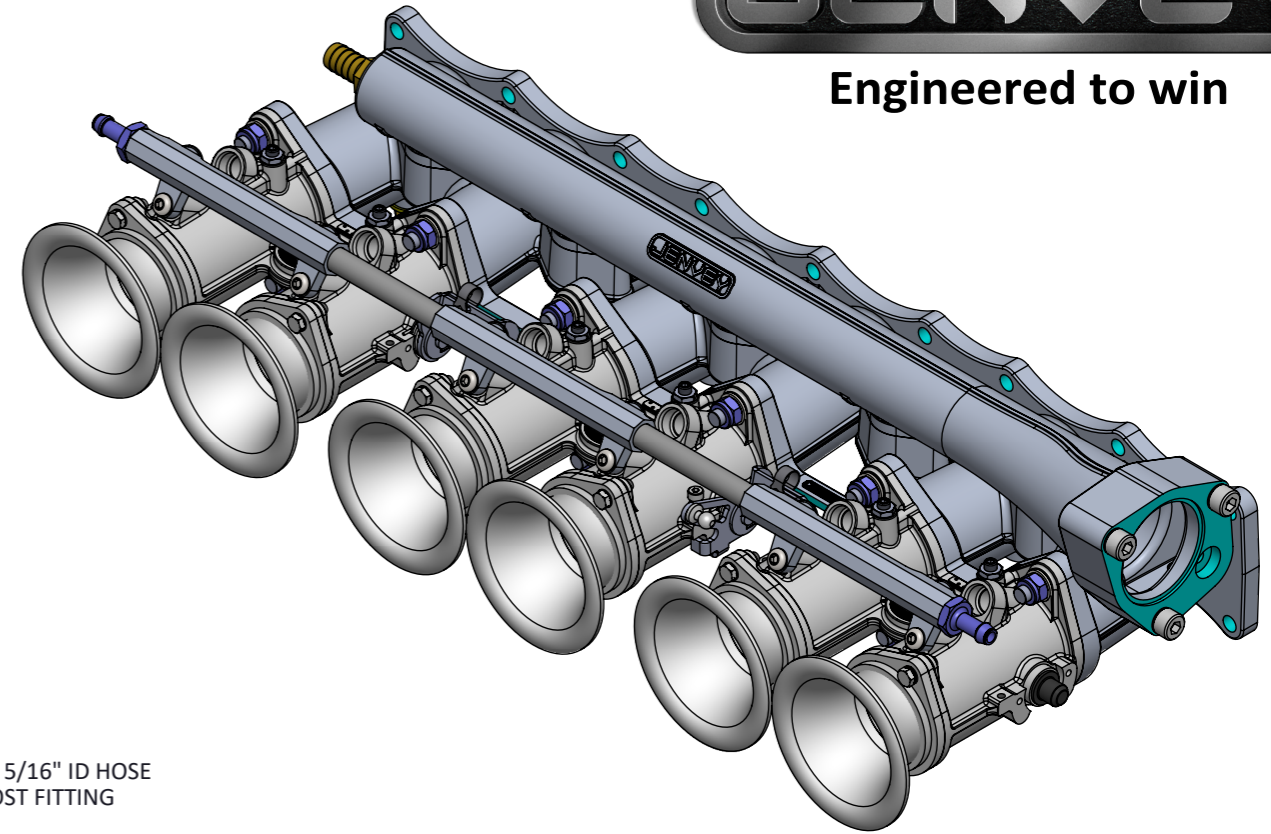


# CKJR05 - Jaguar XK6 TH45 Throttle body kit

## JAGUAR XK6 TH45 KIT



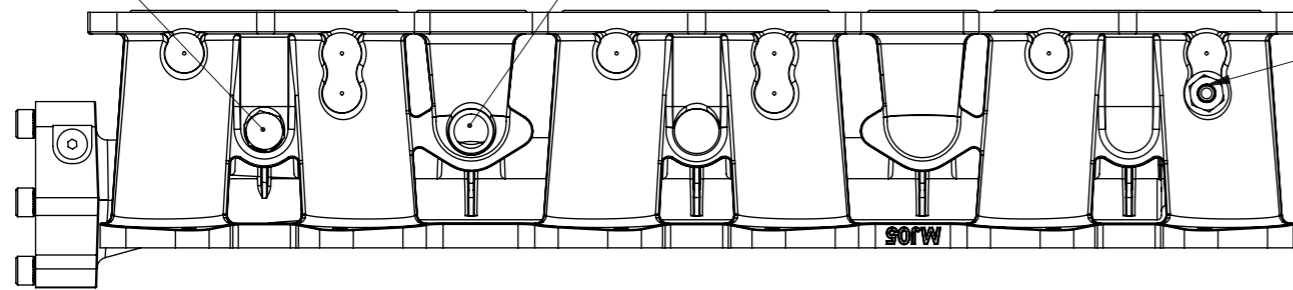
Engineered to win



M12 ECU WATER TEMPERATURE SENSOR

5/8 UNF DASHBOARD WATER TEMPERATURE SENDER

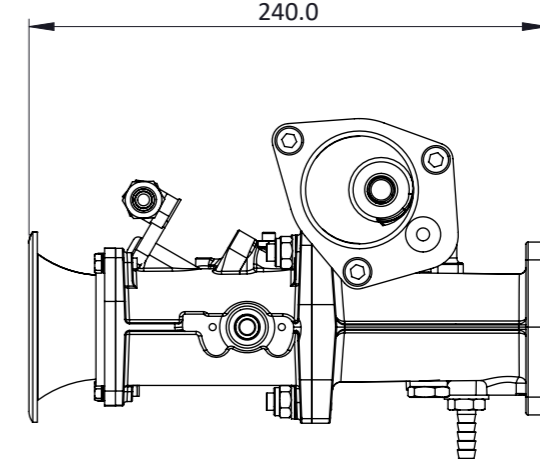
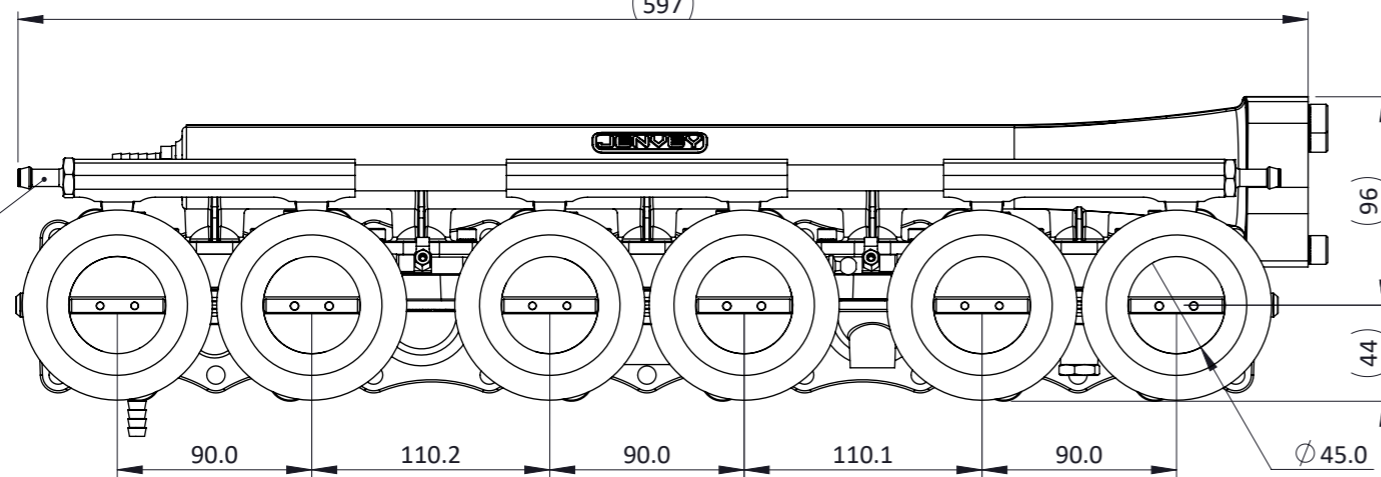
1/4 BSP TO 5/16" ID HOSE BRAKE BOOST FITTING



(597)

240.0

8mm PUSH-ON FUEL RAIL FITTINGS



The Jenvey Jaguar XK6 manifold has been designed to suit both the E-Type Series 1 3.8L & 4.2L engines and the Series 2 4.2L engine, With inlet flanges to suit Jenvey DCOE style throttle bodies.

The Water manifold suits the series 1 4.2L thermostat housing (Series 2 will not fit underneath bonnet) and thermostat, and includes a heater outlet.

The manifold has features underneath for a take off for ECU water temperature sensor (M12), dashboard water temperature sender (5/8 UNF) & a spare undrilled water feature boss. Additionally it includes undrilled features on the underside of each runner for idle air/map take-offs & a 1/4 BSP to 5/16 ID hose fitting for brake boost.

The Jenvey XK6 (CKJR05) kit includes manifold and water manifold, TH45 short throttle bodies, Fuel rail and Ø45x40mm air horns.

Frame: 1 of 1

Version: 3

Tel 01746 768810

© JENVEY DYNAMICS LTD. 2015

Web WWW.JENVEY.CO.UK

