

# APSC2-70 - 2 PIECE TURBO PLENUM, 70mm INLET



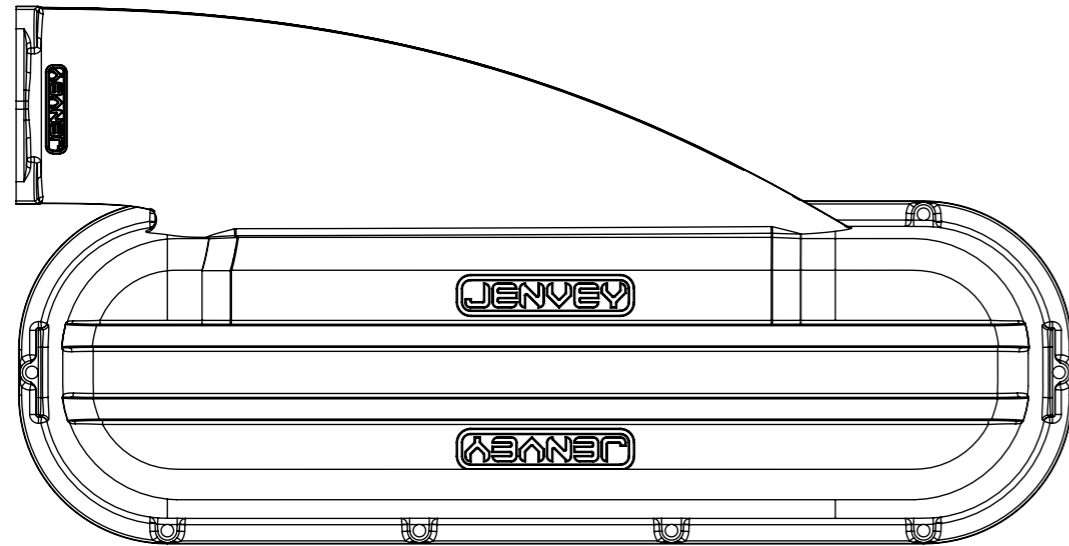
Engineered to win

THE JENVEY 70mm TURBO PLENUM CAN BE INSTALLED IN MULTIPLE DIFFERENT WAYS TO SUIT YOUR NEEDS.

SEE BELOW FOR ORDERING CODES FOR EACH CONFIGURATION:

APSC2-70-X - A LEFT OR RIGHT HAND PLENUM WITH AN UN MACHINED BASE PLATE.

APSC2-70-XX-MAC - A LEFT OR RIGHT HAND PLENUM WITH A MACHINED BASE TO SUIT, ASSEMBLED IN THE ORIENTATION YOU REQUIRE.

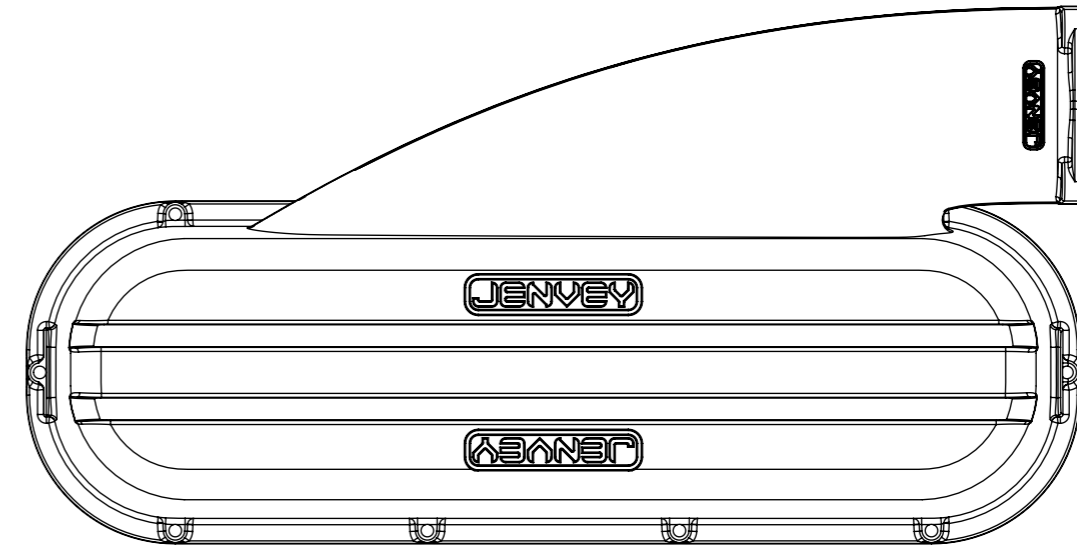


**TOP LEFT CONFIGURATION:**

APSC2-70-L

OR

APSC2-70-LT-MAC

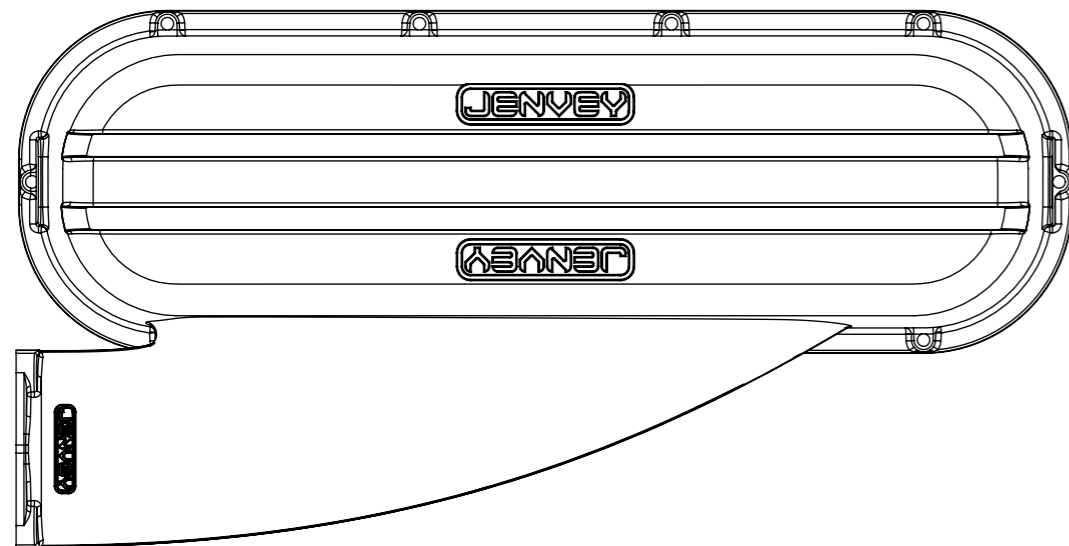


**TOP RIGHT CONFIGURATION:**

APSC2-70-R

OR

APSC2-70-RT-MAC

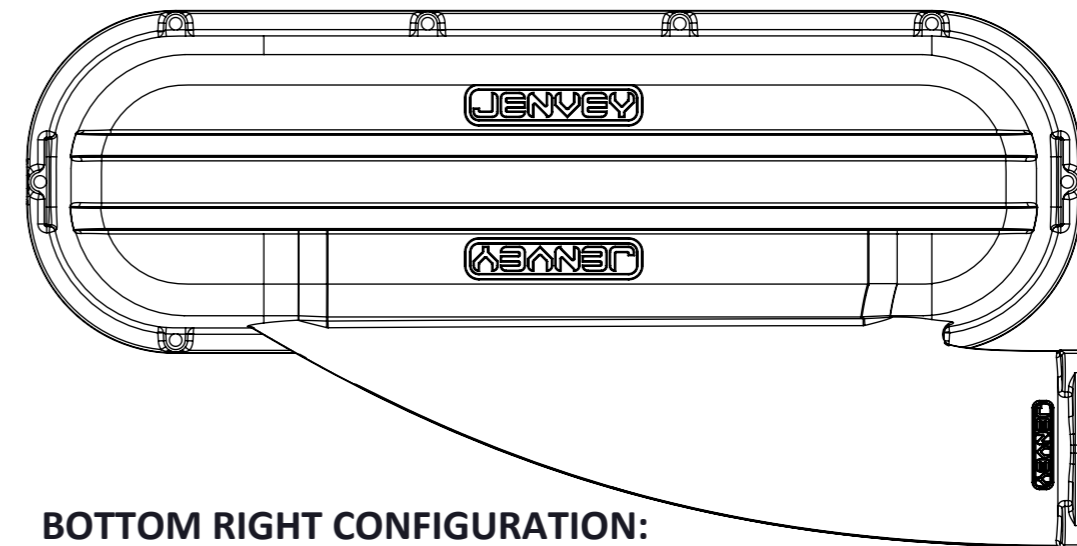


**BOTTOM LEFT CONFIGURATION:**

APSC2-70-R

OR

APSC2-70-LB-MAC



**BOTTOM RIGHT CONFIGURATION:**

APSC2-70-L

OR

APSC2-70-RB-MAC

Frame: 1 of 1

Version: 1

Tel 01746 768810

© JENVEY DYNAMICS LTD. 2021

Web WWW.JENVEY.CO.UK

